



Versatile. Flexible, Durable...

SnapPay brings flexibility to cashless payment operations. Through third-party interface protocols, SnapPay can provide cashless capabilities for vending, and point-of-sale devices.

Potential clients include corporations, healthcare facilities, colleges and universities, and correctional facilities.

SnapPay's flexible platform also allows variable access media input, including magnetic stripe, bar code, and proximity readers. SnapPay delivers cashless capabilities through standard TCP/IP and HTTP protocols.

Engineered for simplicity, designed for flexibility, and structured for stamina, SnapPay is a user's dream.

Virtual "plug and play" installation allows SnapPay to interface with multiple platforms. Installation is a snap with wide selection of mounting options available.



**MOVE INTO THE
FUTURE OF VENDING.**





Benefits and Advantages

Cashless Convenience

- Increase sales volume due to convenience and impulse buying
- Eliminate the need for 'Exact Change' sales

Cost Justification

- Supports a wide variety of card types, such as an existing employee ID card
- Reduces service requirements to collect cash and repair cash related problems
- Reduces shrinkage and losses due to theft and vandalism
- Promotes longer contracts

Flexible Installation

- Easy to install and implement
- Fits into any standard full-faced bill acceptor knock-out, or POS window (OEM kits may be required)
- One cable connection

Configuration & Programming

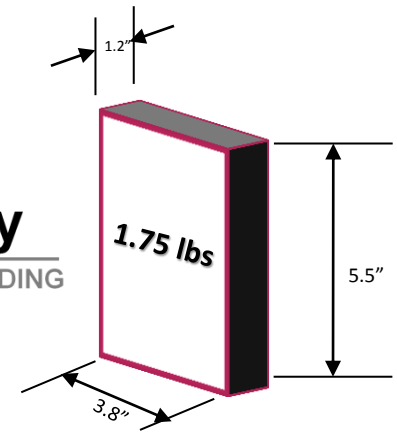
- SnapPay module is configured with eTerminette PC application

Technical Specifications - SnapPay	
Physical Dimensions	5.5" H x 3.8" W x 1.2" D
Weight	1.75 lbs
Exterior Finish	Corrosion resistant Powder Coat, Low Texture Enamel (WHITE)
Electrical Requirements	Supplied by the vending machine
Electronic Security	All communications are encrypted
Remote Management	Network configuration (eTerminette)
Network Communications	TCP/IP, Wi-Fi
Supported Card Media	Mag-Stripe, Contactless, Bar-Code
Operating Temperature	41 F to 104 F (+5 C to +40 C)
Relative Operating Humidity	20% - 80%, non-condensing
Mounting Options (SnapPay)	Internal to vending machine

NETWORK OPTIONS



SnapPay
CASHLESS VENDING



CARD MEDIA OPTIONS



Mag-Stripe Bar-Code Contactless